

# users guide

**icos**

Your Ideal users guide

## HE15, HE18, HE24

For installation guide see reverse of book

When replacing any part on this appliance, use only spare parts that you can be assured conform to the safety and performance specification that we require. Do not use reconditioned or copy parts that have not been clearly authorised by Ideal Boilers.

**i** BOILERS *Ideal*  
ENGINEERED FOR PEACE OF MIND

## **icOs (Natural Gas Models Only)**

**G.C. Appliance No. see page 3 in installation section**

**Destination Countries: GB, IE**

### ***Introduction***

The **icOs** is a wall mounted, room sealed, super efficient condensing boiler featuring full sequence automatic spark ignition and fan assisted combustion.

Due to the very high efficiency, condensate is produced from the flue gases and this is drained to a suitable disposal point through the plastic waste pipe at the right lower rear of the boiler. A condensate 'plume' will also often be visible at the flue terminal.

### ***Safety***

#### **Current Gas Safety (Installation & Use) Regulations or rules in force.**

In your own interest, and that of safety, it is the law that this boiler must be installed by a CORGI registered installer.

In IE the installation must be carried out by a competent person and installed in accordance with the current edition of I.S. 813 "domestic Gas Installations", the current Building Regulations and reference should be made to the current ETCI rules for electrical installation.

*It is essential that the instructions in this booklet are strictly followed, for safe and economical operation of the boiler.*

#### ***Electricity Supply***

The appliance must be earthed.

Supply 230 V - 50 Hz. The fusing should be 3A.

This appliance is intended to be connected to the supply via a double-pole switch, having a 3mm contact separation in both poles, serving only the boiler and system controls. Alternatively, a 3-pin UNSWITCHED socket may be used.

All CORGI Registered Installers carry a CORGI ID card, and have a registration number. Both should be recorded in your **Benchmark** Log Book. You can check your installer by calling CORGI direct on 0156 372 300.

### ***Important Notes***

- This appliance must not be operated without the casing correctly fitted and forming an adequate seal.
- If the boiler is installed in a compartment then the compartment **MUST NOT** be used for storage purposes.
- Under **NO** circumstances should any of the sealed components on this appliance be used incorrectly or tampered with.
- If it is known or suspected that a fault exists on the boiler then it **MUST NOT BE USED** until the fault has been corrected by a CORGI registered installer or in IE a competent person.
- Flammable materials must not be placed in close proximity to the appliance. Materials giving off flammable vapours must not be stored in the same room as the appliance.

In cases of repeated or continuous shutdown a CORGI registered installer or in IE a competent person should be called to investigate and rectify the condition causing this and carry out an operational test after each intervention on the device. Only the manufacturers original parts should be used for replacement.

#### **Minimum Clearances**

Clearances of **165mm (6 1/2")** above, **100mm (4")** below, **5mm (1/4")** at the sides and **450mm (17 3/4")** at the front of the boiler casing must be allowed for servicing.

The minimum front and bottom clearance allowed when built into a cupboard is 5mm.

#### **To light the boiler (Refer to Frame 1)**

1. CHECK THAT THE ELECTRICITY SUPPLY TO THE BOILER IS OFF.
2. Set the mains on/off switch (A) to off and the CH thermostat knob (C) to maximum.
3. Switch on the electricity supply to the boiler and check that all external controls, e.g. programmer, room thermostat, etc are on.
4. Set the mains on/off switch to ON.

The boiler will commence the ignition sequence, supplying heat to the system when required.

**THE LOG BOOK SHOULD BE COMPLETED AFTER EACH SERVICE AND KEPT WITH THESE INSTRUCTIONS.**



## Operation

In normal operation the control unit display (F) will show the codes:

**O - Standby** (no demand for heat)

**C - CH being supplied.**

During *ignition* the LED (E) will flash.

During *normal running* the LED will remain illuminated.

**Note.** If the boiler fails to light after 3 attempts the fault code 'L' 'F' will be displayed.

Press and hold the reset button for 2 seconds then release. The boiler will repeat the ignition sequence. If the boiler fails to light consult a CORGI registered installer or in IE a competent person.

## Control of water temperature

The boiler controls the central heating radiator temperature to a maximum of 82°C, adjustable via the CH thermostat knob (C).

Approx CH flow temperatures for the boiler thermostat settings are:

Knob Setting	Flow Temperature	
	°C	°F
Minimum	30	86
Maximum	82	180

## To shut down the boiler

### 1. For short periods

Set the mains on/off switch (A) to OFF.

### 2. For longer periods

Set the mains on/off switch (A) to OFF. Switch the electricity supply to OFF. For longer periods the entire system should be drained, including the domestic hot water supply.

## To relight the boiler

Repeat the procedure detailed in 'To light the boiler'.

## Frost Protection

If no frost protection is provided and frost is likely during a short absence from home leave the heating controls (if fitted) at a reduced temperature setting.

For longer periods the entire system should be drained.

If the system includes a frost thermostat then, during cold weather, the boiler should be turned OFF at the time switch (if fitted) ONLY. The mains supply should be left switched ON, with the boiler thermostat left in the normal running position.

## Boiler Overheat Thermostat

This thermostat will shut down the boiler in the event of overheating. Should this occur a fault code 'L' 'A' will be displayed. Press the reset button (D) and the boiler will relight. If the fault recurs turn off the boiler and consult a CORGI registered installer or in IE a competent person.

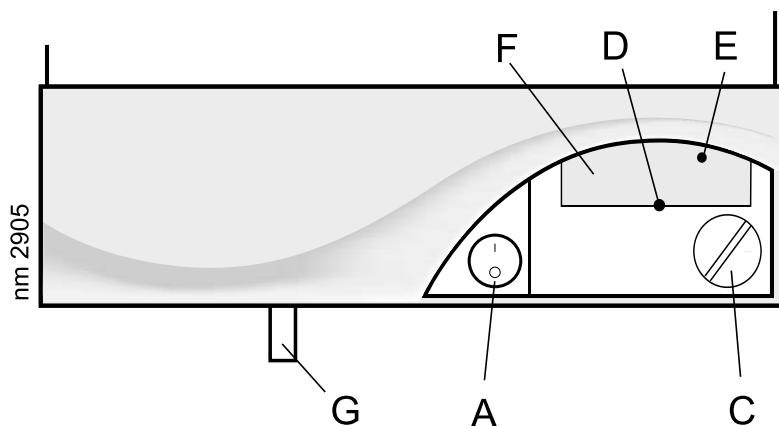
## Flame failure

Should this occur a fault code L-F will be displayed. Press the reset button and the boiler will relight. If the fault recurs, turn off the boiler and consult a CORGI registered installer or in IE a competent person.

## 1 BOILER CONTROLS

### Legend

- A Boiler on/off switch
- C CH thermostat knob
- D Reset button
- E LED
- F Display
- G Condensate drain



**CAUTION.** To avoid the possibility of injury during the installation, servicing or cleaning of this appliance care should be taken when handling edges of sheet steel components.

## **Condensate Drain**

The condensate drain must not be modified or blocked.

Blockage of the condensate drain, caused by debris or freezing, can cause automatic shutdown of the boiler.

If freezing is suspected and the pipe run is accessible an attempt may be made to free the obstruction by pouring hot water over the exposed pipe and clearing any blockage from the end of the pipe. If this fails to remedy the problem the assistance of a CORGI registered installer or in IE a competent person should be sought.

## **Escape of gas**

Should a gas leak or fault be suspected contact your local gas supplier without delay.

*Do NOT search for gas leaks with a naked flame.*

## **Cleaning**

For normal cleaning simply dust with a dry cloth.

To remove stubborn marks and stains use a damp cloth and mild detergent.

DO NOT use abrasive cleaning materials.

## **Maintenance**

The appliance should be serviced at least once a year by a CORGI registered installer or in IE a competent person.



*The code of practice for the installation,  
commissioning & servicing of central heating systems*

Caradon Ideal Limited. is a member of the Benchmark initiative and fully supports the aims of the programme. Benchmark has been introduced to improve the standards of installation and commissioning of central heating systems in the UK and to encourage the regular servicing of all central heating systems to ensure safety and efficiency.



CERTIFIED PRODUCT  
Manufactured under a BS EN ISO 9001:2000  
Quality System accepted by BSI

**Ideal Boilers**, P.O. Box 103, National Ave, Kingston upon Hull, HU5 4JN. Telephone: 01482 492 251 Fax: 01482 448 858. Registration No. London 322 137.

**Caradon Ideal Limited** pursues a policy of continuing improvement in the design and performance of its products. The right is therefore reserved to vary specification without notice.



**i Ideal** BOILERS  
**ENGINEERED FOR PEACE OF MIND**

**Caradon**  
Ideal Limited

***Ideal Consumer Helpline Tel: 01482 498 660***

***www.idealboilers.com***