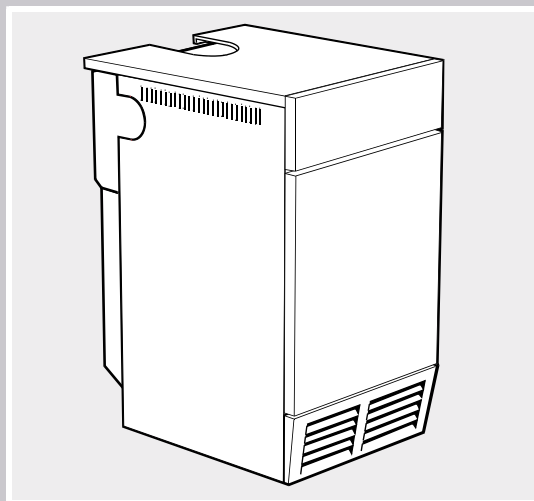


THE IDEAL USERS GUIDE



mexico

the floor standing boiler

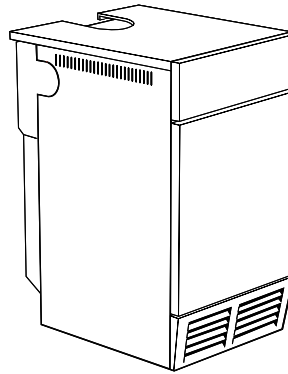
Floor standing, gas
fired fanned flue boiler

Mexico Super
440 FF - 4125 FF

i **Ideal** BOILERS

MEXICO SUPER (Natural Gas Models Only)

Mexico Super	440	FF	G.C. No. 41 392 26
Mexico Super	450	FF	G.C. No. 41 392 27
Mexico Super	460	FF	G.C. No. 41 392 28
Mexico Super	470	FF	G.C. No. 41 392 29
Mexico Super	480	FF	G.C. No. 41 392 30
Mexico Super	4100	FF	G.C. No. 41 392 31
Mexico Super	4125	FF	G.C. No. 41 392 32



Certified - P.I. No. 87 AU 83

Destination Countries: GB, IE

Safety

It is essential that the instructions in this booklet are strictly followed, for safe and economical operation of the boiler.

Gas Safety (Installation & Use) Regulations or rules in force.

In your own interest, and that of safety, it is the law that this boiler must be installed by a CORGI registered installer or in IE a competent person, in accordance with the above regulations.

Electricity Supply

This appliance must be efficiently earthed.

Supply: 230 V ~ 50 Hz.

The fusing should be 3A.

Connection must be made in a way that allows complete isolation of the electrical supply such as a double pole switch having a 3mm (1/8") contact separation in both poles, or a plug and socket, serving only the boiler and system controls. The means of isolation must be accessible to the user after installation.

Important Points

- If the boiler is installed in a compartment then the compartment MUST NOT be used for storage purposes.*
- The ventilation provided for the boiler during installation MUST NOT be blocked, and a check should be made periodically that the ventilation areas are free from any obstruction.*
- If it is known or suspected that a fault exists on the boiler then it MUST NOT be used until the fault has been corrected by a CORGI registered installer or in IE a competent person.*
- Inflammable materials must not be placed in close proximity to the appliance. Materials giving off flammable vapours must not be stored in the same room as the appliance.*
- Under NO circumstances should any of the sealed components on this appliance be used incorrectly or tampered with.*

In cases of repeated or continuous shutdown a CORGI registered person or in IE a competent person should be called to investigate and rectify the condition causing this and carry out an operational test after each intervention on the device. Only the manufacturer's original parts should be used for replacement.

Minimum Clearances

A clearance of 533mm (21") MUST be available at the front of the boiler for servicing.

The minimum clearances given in Table 1 MUST be complied with, in order to maintain the safe running of the boiler.

To light the boiler. Refer to Frame 2

If a programmer is fitted refer to separate instructions for the programmer before continuing.

1. Check that the electricity supply to the boiler is OFF.
2. Open the control panel drop-down door and ensure that the thermostat knob (G) is in the OFF position.
3. Switch ON the electricity supply to the boiler and check that all external controls, e.g. room thermostat etc., are ON.
4. Set the boiler thermostat knob (G) to position 6. The fan will start. After the fan has run for a few seconds the pilot solenoid valve should open and the intermittent spark commence, continuing until the pilot is established. The main burner will then cross-light smoothly.

Winter conditions (i.e. central heating and domestic hot water). The thermostat should be positioned at setting 5 or 6.

Summer conditions (i.e. domestic hot water only). The thermostat should be positioned at setting 2.

These settings are offered for general guidance only and other settings may be found preferable, dependent upon the type of system installed or as recommended by the installer.

All CORGI Registered Installers carry a CORGI ID card, and have a registration number. Both should be recorded in your **Benchmark** Log Book. You can check your installer by calling CORGI direct on 0156 372 300.

THE LOG BOOK SHOULD BE COMPLETED AFTER EACH SERVICE AND KEPT WITH THESE INSTRUCTIONS.



1 BOILER CLEARANCES

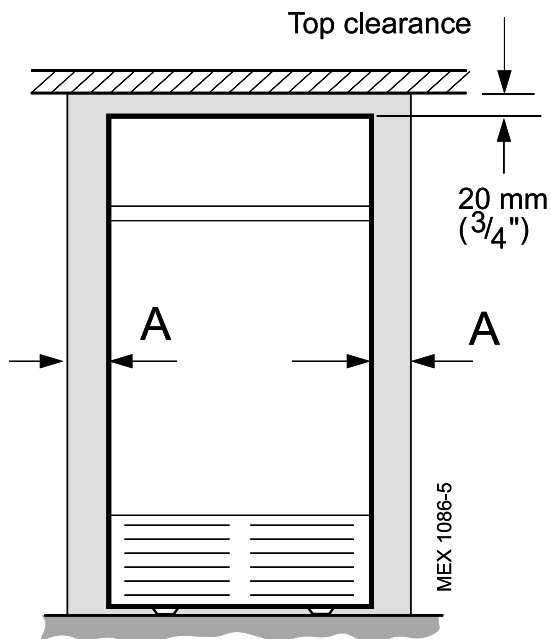


Table 1

Boiler Model	Flue Length mm (in.)	Dimension A	
		Rear Flue mm (in.)	Side/Top flue mm (in.)
440 FF, 450 FF 460 FF, 470 FF 480 FF, 4100 FF 4125 FF	Up to 600 (23 5/8)	10 (3/8)	35 (1 3/8)
440 FF, 450 FF 460 FF, 470 FF 480 FF	600 to 3000 (23 5/8 to 118)	35 (1 3/8)	35 (1 3/8)
4100 FF	600 to 2000 (23 5/8 to 78 3/4)	35 (1 3/8)	35 (1 3/8)
4125 FF	600 to 1000 (23 5/8 to 39 1/4)	55 (2 1/4)	55 (2 1/4)

To shut down the boiler

1. For short periods

Turn the boiler thermostat knob (G) to OFF. When heating is again required, restore the knob to its original setting.

2. For longer periods

- Turn the boiler thermostat knob (G) to OFF.
- Switch the electricity supply to OFF.

Frost protection

If no frost protection is provided and frost is likely during a short absence from home, leave the heating controls (if fitted) at a reduced temperature setting.

For longer periods, the entire system should be drained - including the domestic water supply.

If the system includes a frost thermostat then, during cold weather, the boiler should be turned OFF at the time switch (if fitted) ONLY. The mains supply should be left switched ON, with the boiler thermostat left in the normal running position.

Control of water temperature

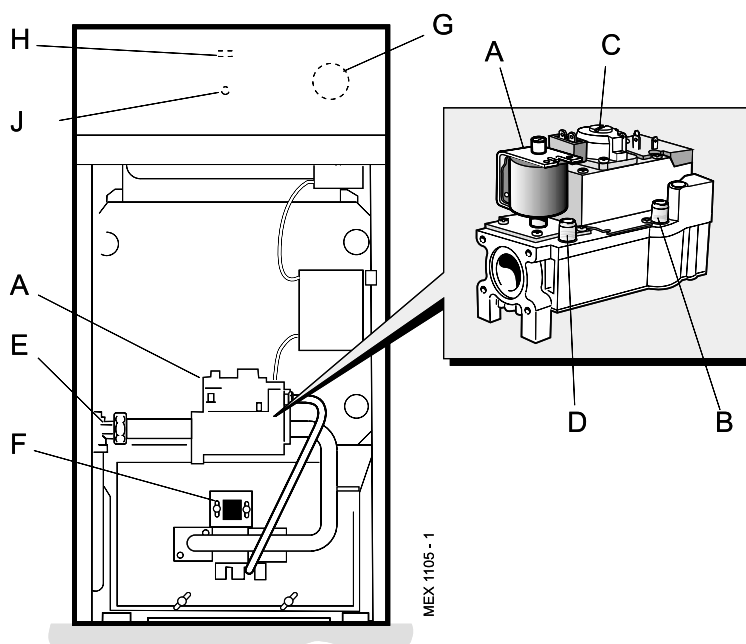
- Set the boiler thermostat knob (G) to give the required temperature for central heating.
- The boiler thermostat automatically switches the main burner OFF and ON to maintain the selected temperature.

2 BOILER CONTROLS

LEGEND

- A. Gas control valve.
- B. Burner pressure test point.
- C. Main burner pressure adjuster.
- D. Inlet pressure test point.
- E. Gas service cock.
- F. Sightglass.
- G. Boiler thermostat knob.
- H. Main burner 'On' neon.
- J. Overheat thermostat reset button (optional).

Note. Grille assembly not shown, for clarity



CAUTION. To avoid the possibility of injury during the installation, servicing or cleaning of this appliance care should be taken when handling edges of sheet steel components

To relight the boiler

Repeat the procedure 1 - 4 detailed in 'To light the boiler'.

Boiler Overheat Thermostat

(Fitted for sealed systems only)

For a boiler fitted with a safety 'cutout' thermostat: this thermostat will shut down the boiler in the event of overheating. Should this occur, allow the boiler to cool, press the reset button (J) on the overheat thermostat then relight as detailed in steps 1-4 under 'To light the boiler'.

If the 'cutout' condition persists turn off the boiler and consult a CORGI registered installer or in IE a competent person.

Loss of system water pressure (Boilers fitted with the Overheat Thermostat Kit only)

If the red arrow on the system pressure gauge is set above zero and the system pressure is seen to fall below this value over a period of time then a water leak is indicated. In this event a CORGI registered installer or in IE a competent person should be consulted.

DO NOT FIRE THE BOILER IF THE PRESSURE HAS REDUCED TO ZERO FROM THE ORIGINAL SETTING

Escape of gas

Should a gas leak or fault be suspected, contact your gas supplier *without delay*.

Do NOT search for gas leaks with a naked flame.

Cleaning

For normal cleaning simply dust with a dry cloth.

To remove stubborn marks and stains, wipe with a damp cloth and finish off with a dry cloth.

Do NOT use abrasive cleaning materials.

Maintenance

The appliance should be serviced at least once a year by a CORGI registered installer or in IE a competent person.

Note.

The appliance model is given on the data plate, located on the front of the boiler base plate, behind the grille assembly.

NOTE TO THE INSTALLER: LEAVE THESE INSTRUCTIONS ADJACENT TO THE GAS METER



The code of practice for the installation, commissioning & servicing of central heating systems

Caradon Ideal Limited is a member of the Benchmark initiative and fully supports the aims of the programme. Benchmark has been introduced to improve the standards of installation and commissioning of central heating systems in the UK and to encourage the regular servicing of all central heating systems to ensure safety and efficiency.



THIS SYMBOL IS YOUR ASSURANCE OF QUALITY

These appliances are designed for use with Natural Gas only. They have been tested and conform with the provisions of BS. 6332 and BS. 5258.



CERTIFIED PRODUCT
Manufactured under a BS EN ISO 9001:1994
Quality System accepted by BSI

Ideal Boilers, P.O. Box 103, National Ave, Kingston upon Hull, HU5 4JN. Telephone: 01482 492 251 Fax: 01482 448 858. Registration No. London 322 137.

Caradon Ideal Limited pursues a policy of continuing improvement in the design and performance of its products. The right is therefore reserved to vary specification without notice.



i Ideal BOILERS

March 2003

UIN 157 642 A02

Caradon
Ideal Limited

Ideal Consumer Helpline Tel: 01482 498 660

www.idealboilers.com