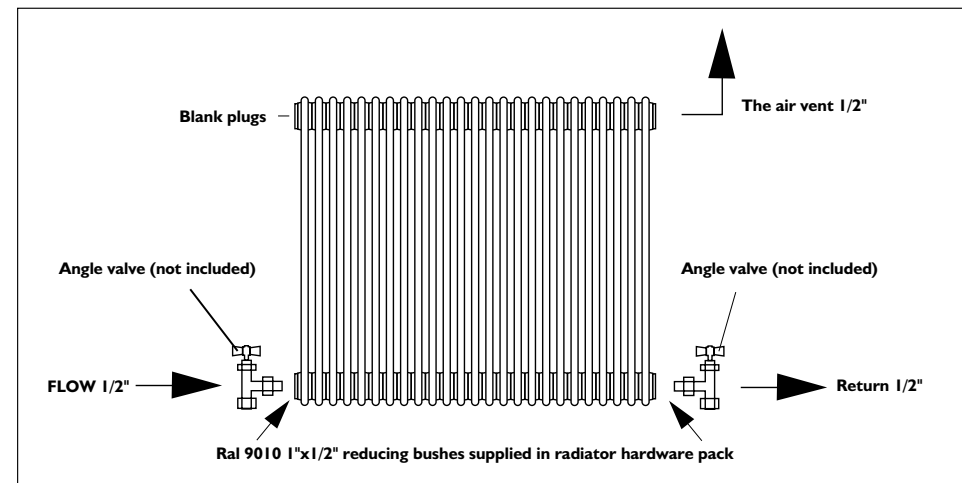


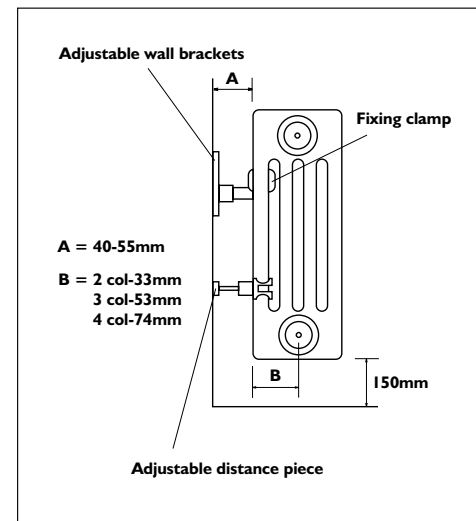
TECHNICAL INFORMATION

	HEIGHT (mm) H	DEPTH (mm) A	WIDTH (mm) B	HEIGHT OUTPUT W Δt=50*	KG'S (per element)	WATER CONTENT (litres per element)
2 COL	500	66	45	37	0.83	0.61
	600	66	45	44	0.96	0.69
	2000	66	45	140	2.79	1.81
	2500	66	45	174	3.49	2.21
3 COL	300	107	45	31	0.77	0.67
	500	107	45	51	1.2	0.91
	600	107	45	60	1.42	1.03
	750	107	45	75	1.72	1.21
4 COL	300	148	45	40	1.09	0.9
	500	148	45	65	1.65	1.22
	600	148	45	77	1.93	1.38
	750	148	45	95	2.31	1.62

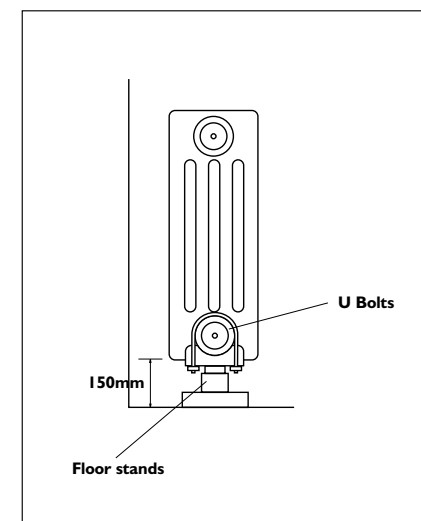
TYPICAL VALVE INSTALLATION



TYPICAL BRACKET INSTALLATION



OPTIONAL EXTRA FLOOR FIXING KIT



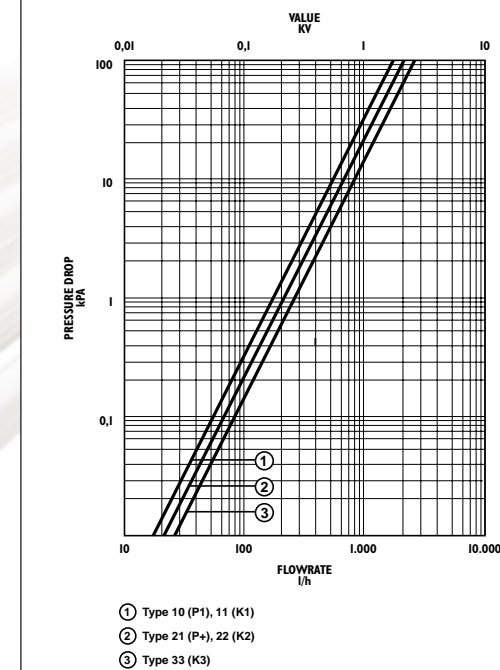
TEMPERATURE TABLE

TEMPERATURES		
Factors for differences between mean water temperature and room temperature in °C and °F other than 60°C (120°F)		
°C		°F
5°C	0.046	10°F 0.055
10°C	0.108	20°F 0.122
15°C	0.179	30°F 0.207
20°C	0.256	40°F 0.293
25°C	0.338	50°F 0.384
30°C	0.423	60°F 0.477
35°C	0.512	70°F 0.590
40°C	0.605	80°F 0.690
45°C	0.700	90°F 0.800
50°C	0.798	100°F 0.910
55°C	0.898	110°F 1.026
60°C	1.000	120°F 1.141
65°C	1.104	130°F 1.255
70°C	1.211	140°F 1.377
75°C	1.319	

To apply the factors shown in the table below to our quoted outputs, multiply the quoted output by the chosen operating factor to give new output.

To apply the factor to required output, divide required output by factor to give correct radiator from the Stelrad Compact range.

PRESSURE DROPS



Stelrad House, Marriott Road, Mexborough, South Yorkshire S64 8BN.
Tel: 0870 849 8056 Fax: 0870 849 8058
www.stelrad.com

COMPACT WITH STYLE THE GREAT AESTHETIC SOLUTION WHEN COMBINED WITH IDEAL BOILERS



isar High-Efficiency Combination Boiler

Ideal's high-efficiency combi is perfect for houses where space is at a premium and fits directly onto any sealed system. The isar has a low lift weight of 43kg and is extremely compact in size. The isar is suitable for installation in any unventilated kitchen cupboard.

icos High-Efficiency Heat Only Boiler

Thanks to its flexibility of siting, ease of installation and advanced reliability, the icos can be fitted in conjunction with any fully pumped system. The icos has a low lift weight of 32kg, compact dimensions, and is suitable for unventilated kitchen cupboard installations.



THE STELRAD CLASSIC COLUMN RADIATOR





AT HOME IN EITHER TRADITIONAL OR MODERN ENVIRONMENTS

WITH A PROGRESSIVE APPROACH TO CLASSIC DESIGN, THIS STEEL COLUMN RADIATOR CAN COMPLEMENT THE MOST CONTEMPORARY OF WAREHOUSE CONVERSIONS, PROVIDE COMPATIBILITY WITH PERIOD REFURBISHMENT, OR ADD STYLE TO THE MOST MODERN OF NEW BUILDING DESIGNS. IT IS ALSO AVAILABLE IN A WIDE CHOICE OF BS OR RAL COLOUR OPTIONS TO HARMONIZE WITH THE BOLDEST OR MOST NEUTRAL OF DECORS.

FOR A CHIC SOLUTION THAT CAN ACCENTUATE THE USE OF TRADITIONAL MATERIALS, ENHANCE A CONTEMPORARY OR PERIOD APPEARANCE, THE CLASSIC COLUMN IS THE PERFECT CHOICE.

OUR EXTENSIVE RANGE OF SIZE OPTIONS PROVIDES FITTING FLEXIBILITY

THERE ARE 6 HEIGHT OPTIONS AVAILABLE FROM 300MM TO 2500MM. THE STANDARD RANGE CONSISTS OF 54 MODELS WITH HEIGHTS OF 300MM, 500MM, 600MM AND 750MM AND WIDTHS FROM 405MM TO 1800MM. WHERE SPACE IS LIMITED THERE ARE FOUR VERTICAL MODELS WITH HEIGHTS OF 2000MM AND 2500MM AND WIDTHS OF 315MM AND 405MM. THIS EXTENSIVE CHOICE OF HEIGHTS AND WIDTHS COMBINES WITH A CHOICE OF TWO, THREE OR FOUR COLUMNS TO PROVIDE A VERSATILE SIZING FLEXIBILITY THAT IS IDEAL FOR USE IN A MINIMALIST PROJECT, OR FOR APPLICATION WHERE WORK SPACE IS RESTRICTED.



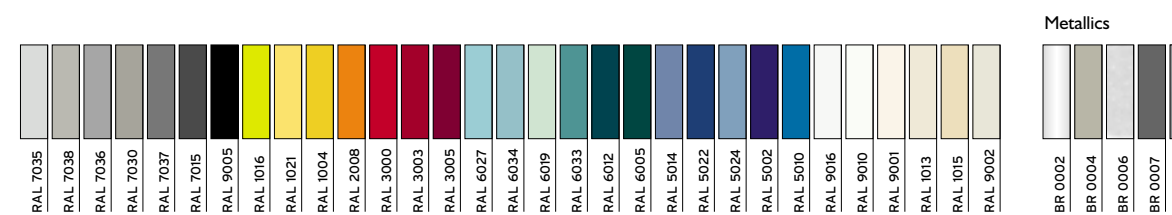
THE GUARANTEED PERFORMANCE YOU WOULD EXPECT FROM STELRAD

THE STRENGTH OF STEEL CONSTRUCTION IS MATCHED BY OUTSTANDING HEATING PERFORMANCE. STRICTLY CONTROLLED INDEPENDENT LABORATORY TESTING ENSURES THAT ALL STELRAD RADIATORS ARE GUARANTEED TO PERFORM TO A MAXIMUM WORKING PRESSURE OF 116 PSI (8 BAR), AND CONFORM TO EN442 THE EUROPEAN STANDARD FOR RADIATORS.

AS A MEASURE OF ALL ROUND DEPENDABLE QUALITY AND PERFORMANCE, THE STELRAD CLASSIC COLUMN RADIATOR COMES COMPLETE WITH A 5 YEAR WARRANTY.



HEIGHT	LENGTH	NO OF SECTIONS	NO OF COL	BTU/HR	WATTS	LIST PRICE (€)	
300	405	9	3	1209	355	100.00	
	585	13	3	1746	512	135.00	
	810	18	3	2418	709	180.00	
	990	22	3	2955	867	222.00	
	1215	27	3	3627	1064	265.00	
	1395	31	3	4164	1221	310.00	
	1800	40	3	5373	1576	399.00	
	405	9	4	1560	515	136.00	
	585	13	4	2253	661	183.00	
	810	18	4	3120	915	240.00	
500	990	22	4	3813	1118	293.00	
	1215	27	4	4680	1372	348.00	
	585	13	2	2084	611	107.00	
	810	18	2	2886	846	142.00	
	990	22	2	3527	1034	177.00	
	1215	27	2	4329	1270	210.00	
	405	9	3	1989	583	103.00	
	585	13	3	2873	839	140.00	
	810	18	3	3978	1162	188.00	
	990	22	3	4862	1420	237.00	
600	1215	27	3	5967	1743	283.00	
	1395	31	3	6851	2001	329.00	
	1800	40	3	8840	2582	426.00	
	405	9	4	2535	741	140.00	
	585	13	4	3662	1070	189.00	
	810	18	4	5070	1481	250.00	
	990	22	4	6197	1810	307.00	
	1215	27	4	7605	2222	359.00	
	585	13	2	2479	724	119.00	
	810	18	2	3432	1003	158.00	
750	990	22	2	4195	1225	198.00	
	1215	27	2	5148	1504	237.00	
	405	9	3	2340	684	118.00	
	585	13	3	3380	987	160.00	
	810	18	3	4680	1367	212.00	
	990	22	3	5720	1671	267.00	
	1215	27	3	7020	2051	320.00	
	1395	31	3	8060	2354	375.00	
	1800	40	3	10400	3038	480.00	
	405	9	4	3003	877	135.00	
2000	585	13	4	4338	1267	184.00	
	810	18	4	6006	1754	247.00	
	990	22	4	7341	2144	305.00	
	1215	27	4	9009	2632	368.00	
	765	17	3	5525	1614	245.00	
	2500	990	22	3	7150	2089	306.00
		1170	26	3	8450	2468	366.00
		1350	30	3	9750	2848	427.00
		1755	39	3	12675	3703	549.00
		405	9	4	3705	1082	182.00
585		13	4	5352	1563	245.00	
810		18	4	7410	2165	327.00	
990		22	4	9056	2646	407.00	
1215		27	4	11115	3247	489.00	
2000		315	7	2	4247	1241	162.00
	405	9	2	5460	1595	217.00	
	315	7	2	5278	1542	190.00	
2500	405	9	2	6786	1982	246.00	



The colours shown above are reproduced as accurately as this printing process will allow and are available to special order only on these models. Specials are subject to a 50% restock fee if returned